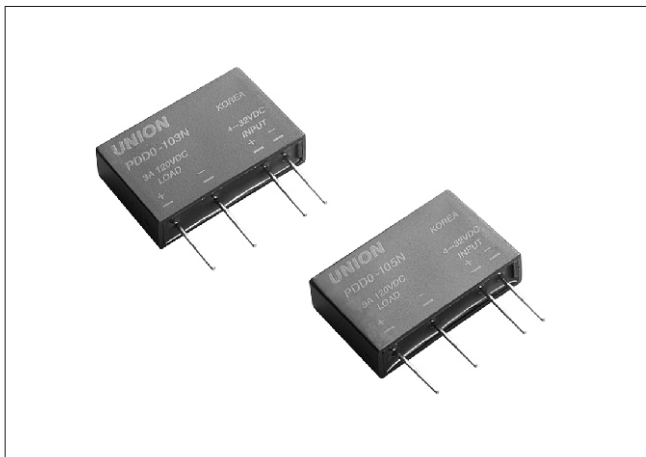


# PDD0 Series



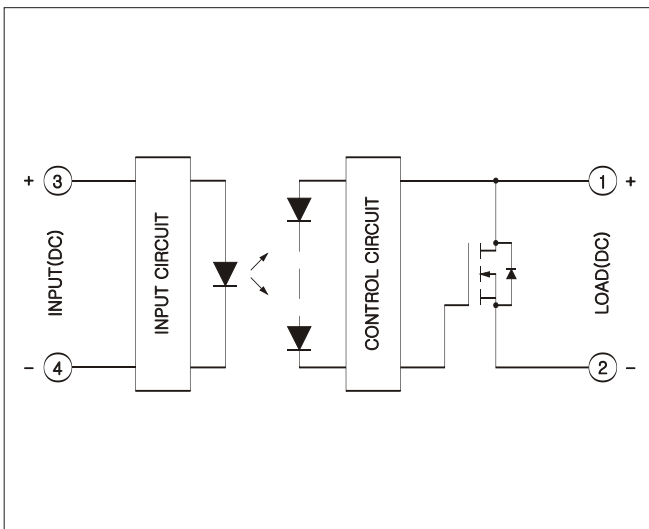
## Input DC/Output DC PCB

- 3 - 5Amp DC120V Output
- AC2500V Isolation
- DC SIP
- Normally Open
- LED Indicator
- PCB Mount

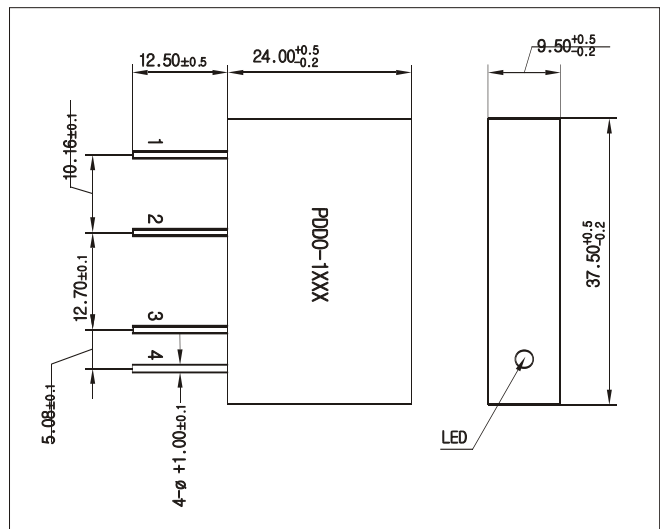
### SPECIFICATIONS

Item		PDD0-103N	PDD0-105N	Unit
<b>OUTPUT</b>	DC ON-STATE LOAD CURRENT	3	5	Adc
	LOAD VOLTAGE RANGE	5 ~ 120		Vdc
	BLOCKING VOLTAGE	200		Vdc
	ON-STATE VOLTAGE DROP	2 Max		Vdc
	OFF-STATE LEAKAGE CURRENT	1 Max		mAdc
<b>INPUT</b>	INPUT VOLTAGE RANGE	4 ~ 32		Vdc
	PICK-UP VOLTAGE	4 Max		Vdc
	DROP-OUT VOLTAGE	1 Min		Vdc
<b>GENERAL</b>	ISOLATION VOLTAGE	2,500Vrms between I/O terminals and case for 1 minute		/
	ISOLATION RESISTANCE	500Vdc 100Mohm between I/O terminals and case		/
	OPERATING TEMPERATURE	-30 ~ +80		°C
	STORAGE TEMPERATURE	-30 ~ +100		°C
	TURN-ON TIME	1 Max		msec
	TURN-OFF TIME	1 Max		msec

### BLOCK DIAGRAM



### DIMENSIONS (UNIT : MM)



**Characteristic curve**

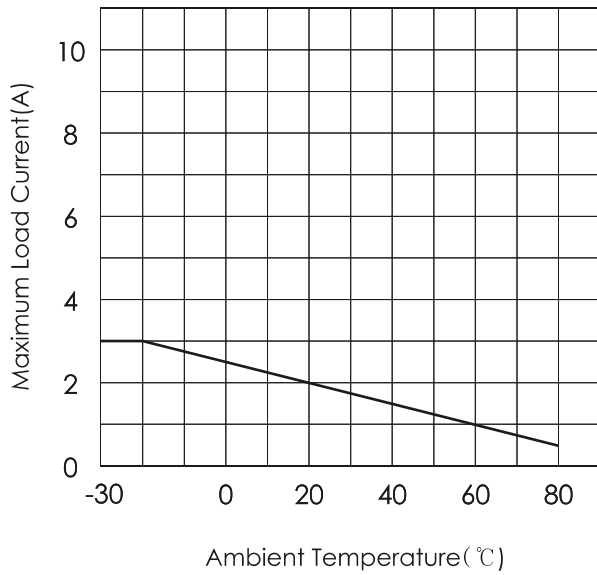
**A. 3Amp S.S.R**

**S.S.R Model**

PDD0-103N

**Heatsink**

Non



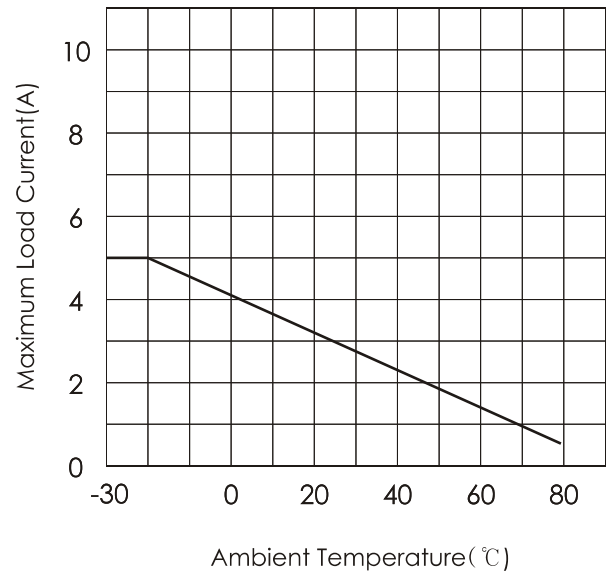
**B. 5Amp S.S.R**

**S.S.R Model**

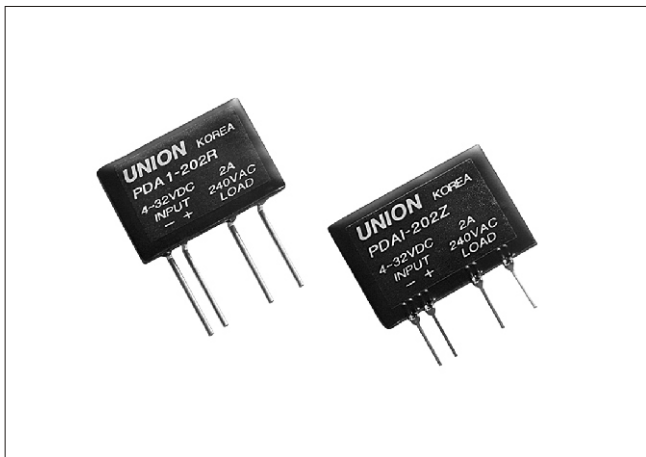
PDD0-105N

**Heatsink**

Non



# PDA1 Series



## Input DC/Output AC PCB

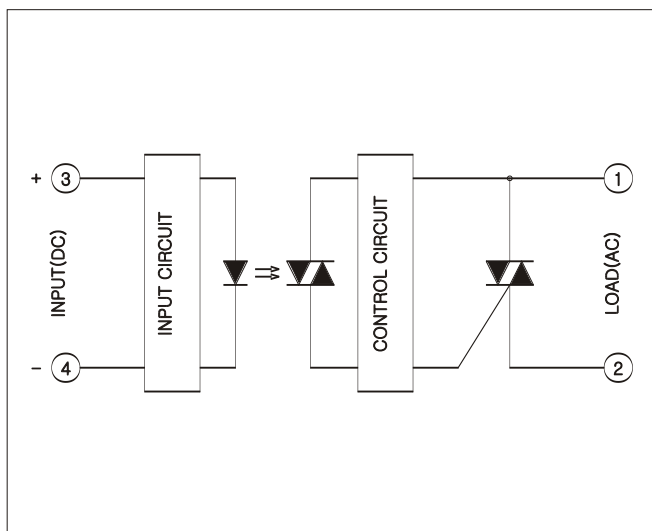
- 2Amp AC 240V Output
- AC mini-SIP
- AC 2500V Isolation
- Normally Open
- Zero-cross and Random Switching
- PCB Mount
- UL Approved
- Ordering Information

PDA1-202XA	0.5 x 0.25 Terminal
PDA1-202XB	1 Pie Terminal

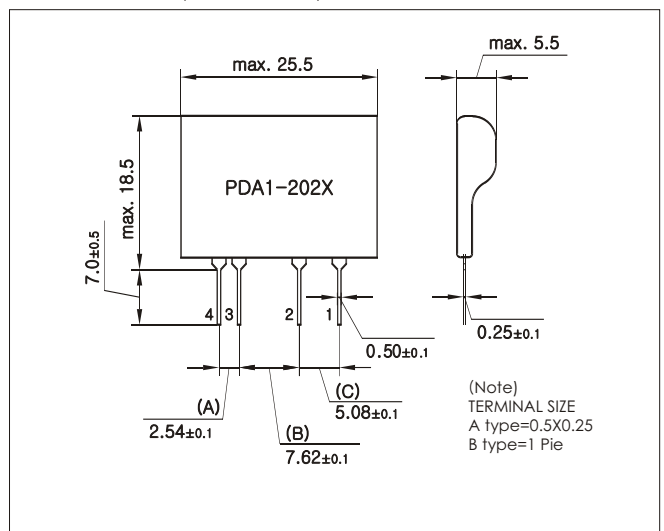
### SPECIFICATIONS

Item		PDA 1-202Z	PDA 1-202R	Unit
OUTPUT	RMS ON-STATE LOAD CURRENT	2		Arms
	LOAD VOLTAGE RANGE	50 ~ 240		Vrms
	BLOCKING VOLTAGE	600		Vrms
	PEAK 1-CYCLE SURGE CURRENT	30		Arms
	ON-STATE VOLTAGE DROP	2 Max		Vrms
	OFF-STATE LEAKAGE CURRENT	1 Max		mArms
INPUT	INPUT VOLTAGE RANGE	4 ~ 32		Vdc
	PICK-UP VOLTAGE	4 Max		Vdc
	DROP-OUT VOLTAGE	1 Min		Vdc
GENERAL	ISOLATION VOLTAGE	2,500Vrms between I/O terminals and case for 1 minute		/
	ISOLATION RESISTANCE	500Vdc 100Mohm between I/O terminals and case		/
	OPERATING TEMPERATURE	-30 ~ +80		°C
	STORAGE TEMPERATURE	-30 ~ +100		°C
	TURN-ON TIME	1/2 Cycle Max	1msec Max	/
	TURN-OFF TIME	1/2 Cycle max		/
	ZERO-CROSS OR RANDOM	Zero-cross	Random	/
	BUILT-IN SNUBBER	-	-	/

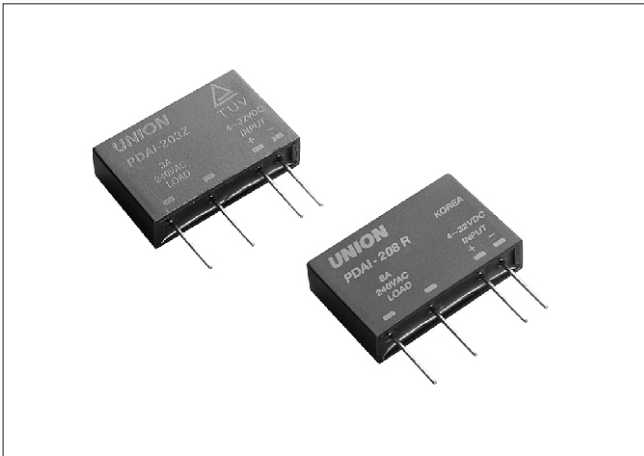
### BLOCK DIAGRAM



### DIMENSIONS (UNIT : MM)



# PDA1 Series



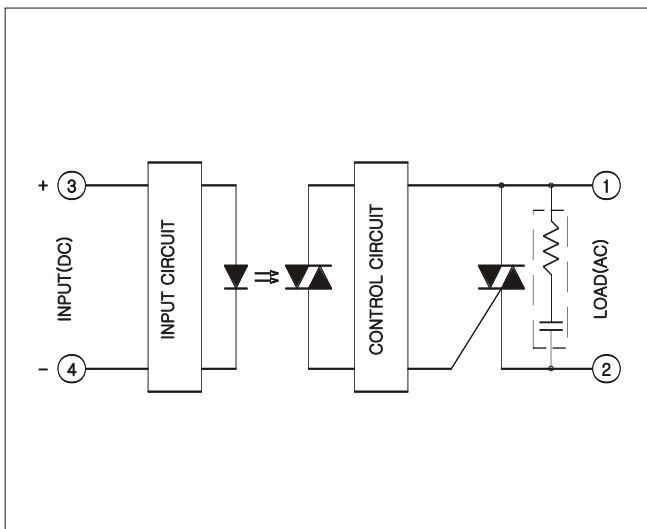
## Input DC/Output AC PCB

- 3 - 8Amp AC 240V Output
- AC SIP
- AC 2500V Isolation
- Normally Open
- LED Indicator
- Zero-cross and Random Switching
- PCB Mount
- UL Approved

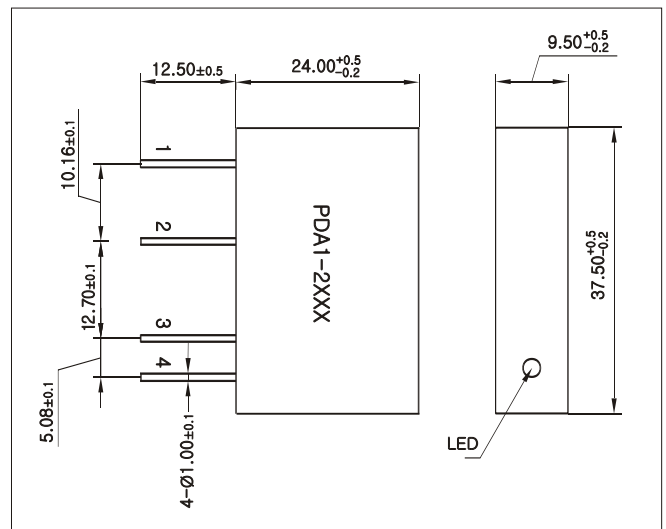
### SPECIFICATIONS

Item		PDA1-203Z	PDA1-205Z	PDA1-208Z	PDA1-203R	PDA1-205R	PDA1-208R	Unit
OUTPUT	RMS ON-STATE LOAD CURRENT	3	5	8	3	5	8	Arms
	LOAD VOLTAGE RANGE	50 ~ 240						Vrms
	BLOCKING VOLTAGE	600						Vrms
	PEAK 1-CYCLE SURGE CURRENT	50	70	84	50	70	84	Arms
	ON-STATE VOLTAGE DROP	2 Max						Vrms
	OFF-STATE LEAKAGE CURRENT	1 Max						mArms
INPUT	INPUT VOLTAGE RANGE	4 ~ 32						Vdc
	PICK-UP VOLTAGE	4 Max						Vdc
	DROP-OUT VOLTAGE	1 Min						Vdc
GENERAL	ISOLATION VOLTAGE	2,500Vrms between I/O terminals and case for 1 minute						/
	ISOLATION RESISTANCE	500Vdc 100Mohm between I/O terminals and case						/
	OPERATING TEMPERATURE	-30 ~ +80						°C
	STORAGE TEMPERATURE	-30 ~ +100						°C
	TURN-ON TIME	1/2 Cycle Max			1msec Max			/
	TURN-OFF TIME	1/2 Cycle max						/
	ZERO-CROSS OR RANDOM	Zero-cross			Random			/
	BUILT-IN SNUBBER	-	○	-	○	-	○	

### BLOCK DIAGRAM



### DIMENSIONS (UNIT : MM)



**Characteristic curve**

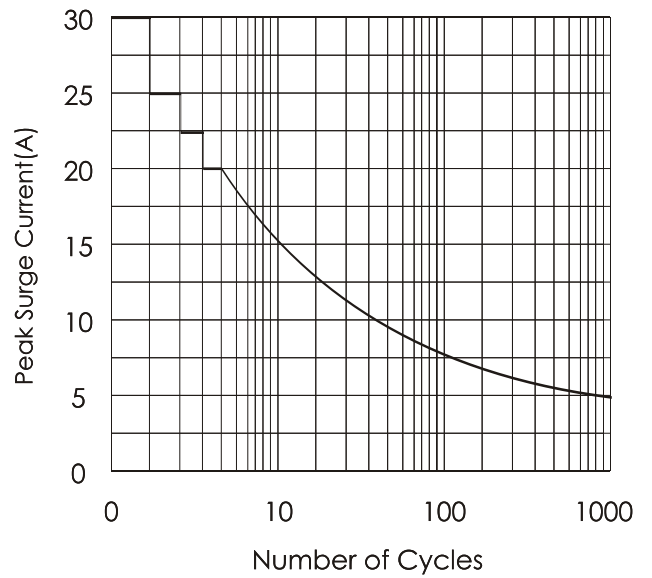
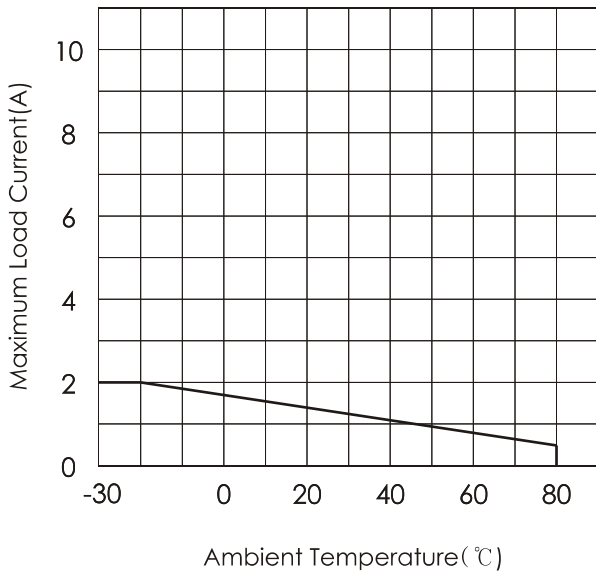
**A. 2Amp S.S.R**

**S.S.R Model**

PDA1-202Z/202R

**Heatsink**

Non



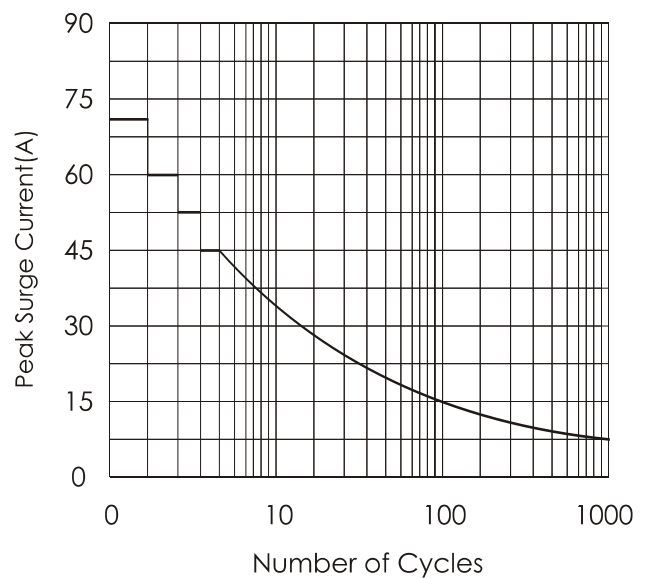
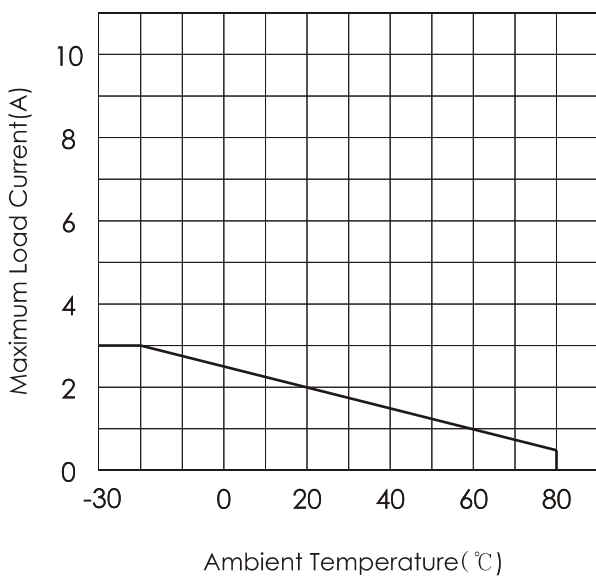
**B. 3Amp S.S.R**

**S.S.R Model**

PDA1-203Z/203R

**Heatsink**

Non



Characteristic curve

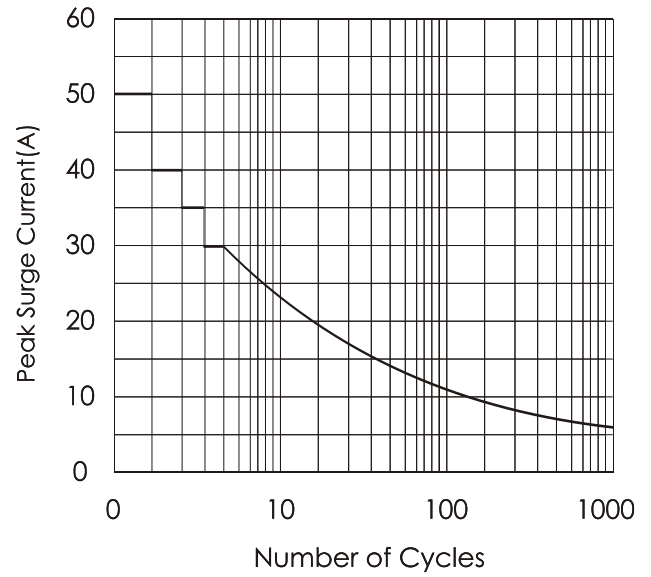
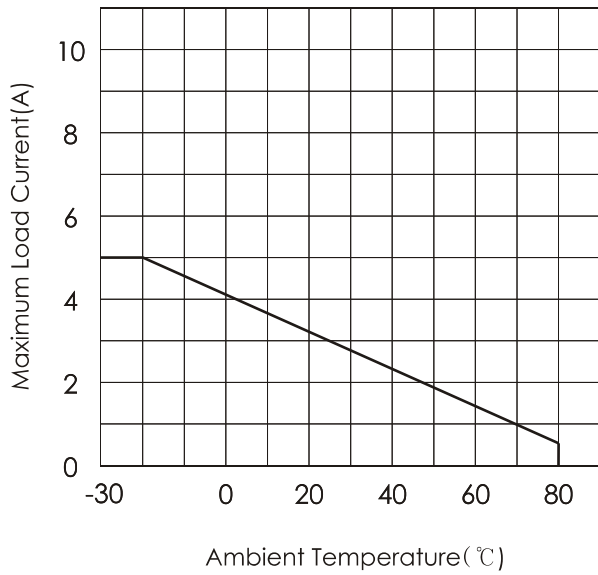
C. 5Amp S.S.R

S.S.R Model

PDA1-205Z/205R

Heatsink

Non



D. 8Amp S.S.R

S.S.R Model

PDA1-208Z/208R

Heatsink

Non

